

CPW Method

CPW Method	CPW Process, CPW Dialog, CPW Workflow	CPW Method
-------------------	--	-------------------

The **CPW** (Cognitive Process Workflow) **Method** is subdivided into:

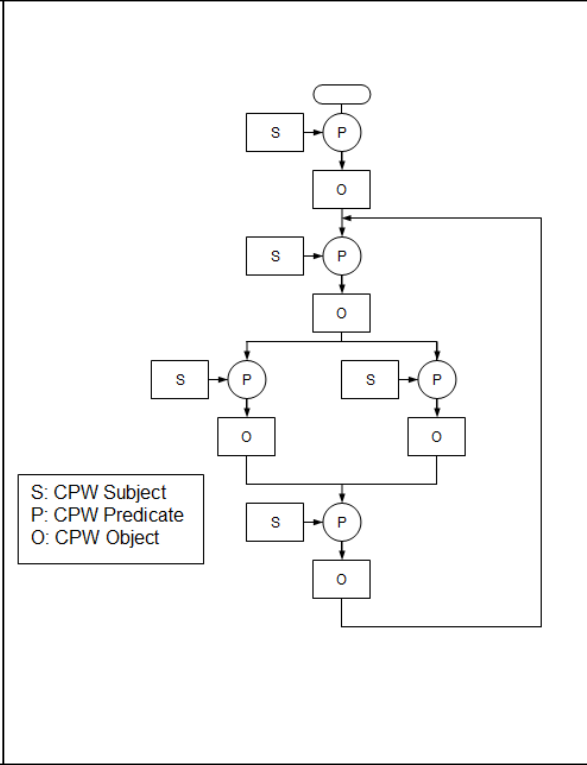
- CPW Process
- CPW Dialog
- CPW Workflow

and in addition with the CPW Context Diagrams:

- CPW Subject Context Diagram
- CPW Object Context Diagram
- CPW Subject Object Context Diagram

The **CPW Process** or **CPW Process Step** is represented as a **Simple Sentence** with **Subject, Predicate and Object**.
(CPW Subject, CPW Predicate and CPW Object)

The CPW Process, CPW Dialog or CPW Workflow consists of one to **several Simple Sentences** respectively **CPW Processes** or **CPW Process Steps** which are linked to one another.



Several simple sentences respectively **CPW Processes** or **CPW Process Steps** can be linked sequentially, logically, iteratively or parallelly to a CPW Process, CPW Dialog or CPW Workflow.

The **CPW Dialog** describes the Process with **direct speech** and **reported speech**.

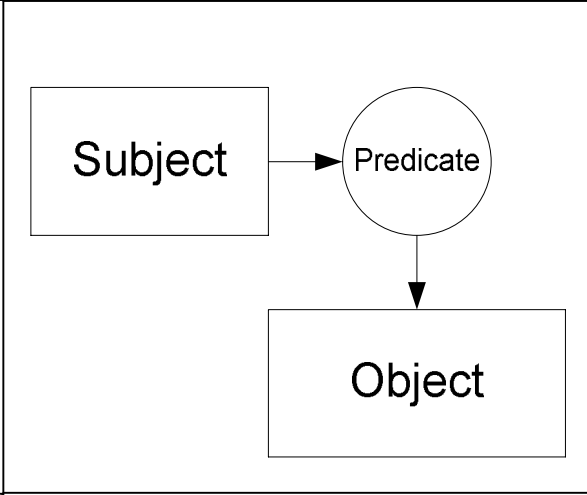
The **CPW Workflow** describes the **business workflow**.

The **CPW Context Diagrams** are realized from the **CPW Subjects** and the **CPW Objects** of the **CPW Process, CPW Dialog** and **CPW Workflow**.

The **CPW Method** can be applied to business areas of financial services (banking, assurance and financial approval), chemistry, pharmacy, medicine, transport, travel, politics, psychology, legal practice and other areas like for example education.

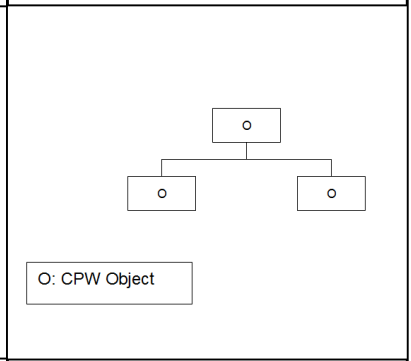
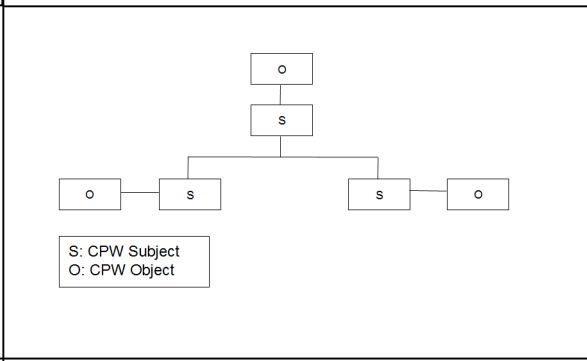
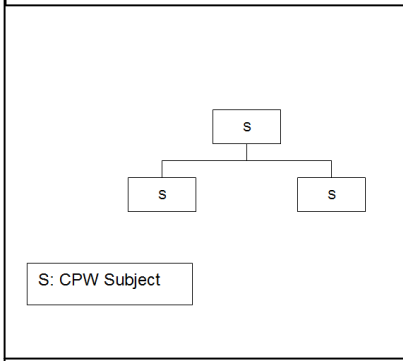
CPW Subject	CPW Process or CPW Process Step	CPW Object
--------------------	--	-------------------

Description of the Subject



Description of the Object

Responsibility	Who is responsible for what?	Process result
-----------------------	-------------------------------------	-----------------------



CPW Subject Context Diagram	CPW Subject Object Context Diagram	CPW Object Context Diagram
------------------------------------	---	-----------------------------------